



**INSTALLATION GUIDE**  
BAKINI BELT



# NOTE

## SKILL LEVEL - ★

1 STAR ★☆☆☆☆

2 STARS ★★☆☆☆

3 STARS ★★★☆☆

4 STARS ★★★★☆

5 STARS ★★★★★

EASY - No tools required

BASIC - Requires standard tools, basic mechanical knowledge and understanding

MODERATE - Requires standard tools. Some drilling and/or cutting.

ADVANCED - Requires speciality tools. Drilling, cutting, and/or welding

EXPERT - Professional installation recommended.

## INSTALLATION HELP

Please review terms and conditions for details

Recommended purchaser review Welcome Guide at time of purchase for details

Care and Maintenance available at [www.exp-one.com/resources](http://www.exp-one.com/resources)

We do our best to offer timely assistance with your installation questions however as most of our team members are primarily engaged in the manufacturing process and packaging processes, we do not currently offer a tech for on-demand calls and inquiries. For the more technical installs or installs that are time-sensitive in nature, we would recommend our customers seek out the services of professional shops with experience specific to aftermarket bumpers that can better meet your needs. We are happy to make recommendations to you on shops familiar with our products in your area. We do our best to respond to installation questions within 24-48 hours of contact as much as possible. Long-distance problem assessment can be difficult, so photos and videos are often required for us to best assist you. We highly recommend your initial contact regarding installation questions include both close-up and full photos, detailed descriptions using our part descriptions as much as possible, and video. This enables us to better assist without having the ability to see the install difficulties directly and assist you as quickly as possible.

## NOTE

Expedition One does not guarantee fitment with other aftermarket products, or reinstallation of take off OEM parts.

Expedition One is NOT RESPONSIBLE for damage to paint or powder coating, items assembled in error during installation or costs associated with install

OEM manufacture model refreshes/updates, factory build location and suppliers may cause variations in fitment or installation and can not be verified, vehicle to vehicle .

\*This product contains chemicals known to the state of California to cause birth defects or other reproductive harm. For more information go to [www.p65warnings.gov](http://www.p65warnings.gov)\*

## AFTERMARKET or OEM PRODUCTS

We DO NOT guarantee fitment or installation of any aftermarket, third party or OEM parts, accessories, or hardware. This includes items such as lighting, winches, skids, lifts, suspension, and accessory mounts. Access to all brands, manufactures and country of origin specific parts is limited or impossible during the product development stage and subsequent new or modified revisions of said products including OEM design changes or refreshes. It is recommended you have the product in hand and installed before modifying with other aftermarket parts. Consult forums or other sources to gain any first hand knowledge of other products others have installed.

# INSTALL GUIDE

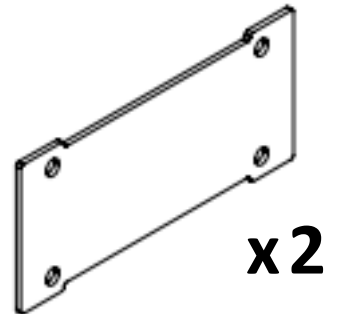
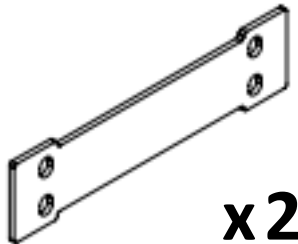
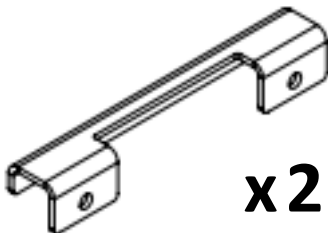
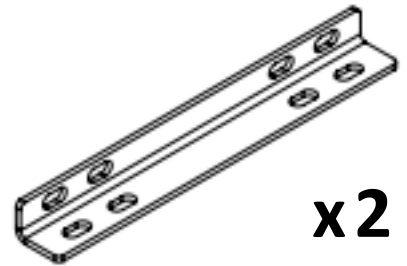
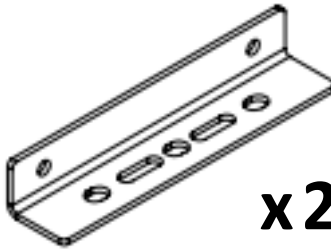
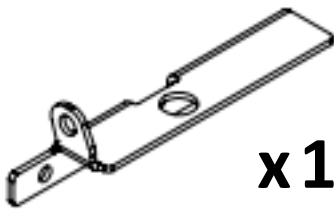
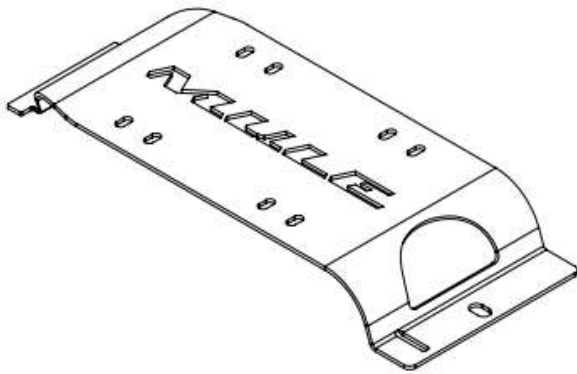
## HARDWARE GUIDE

### ASSEMBLY + MOUNTING

1/4"- 20 X 1/2" BUTTON HEAD BOLT	12
1/4"- 20 NYLOC NUT	12
5/16"- 18 X 1/2" BUTTON HEAD BOLT	4
3/8" - 16 CLIP NUT	1

### SUPPLEMENTAL

KNOB	1
LINCH PIN	1
T-SLOT INSERTS	4

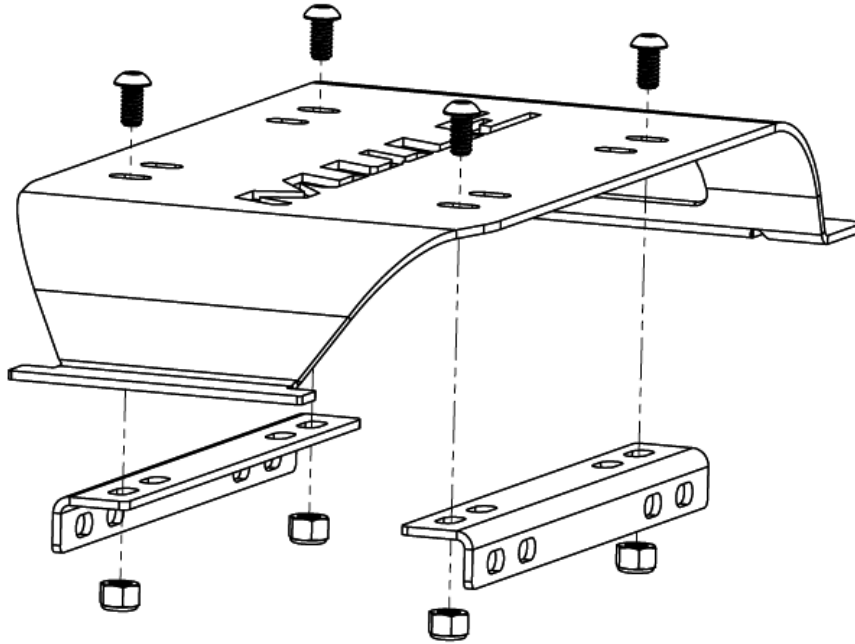


EXTRA HARDWARE MAY BE LEFT OVER DUE TO MODEL OR OPTION SPECIFIC HARDWARE THAT MAY NOT BE REQUIRED FOR THE INSTALL.

# INSTALLATION

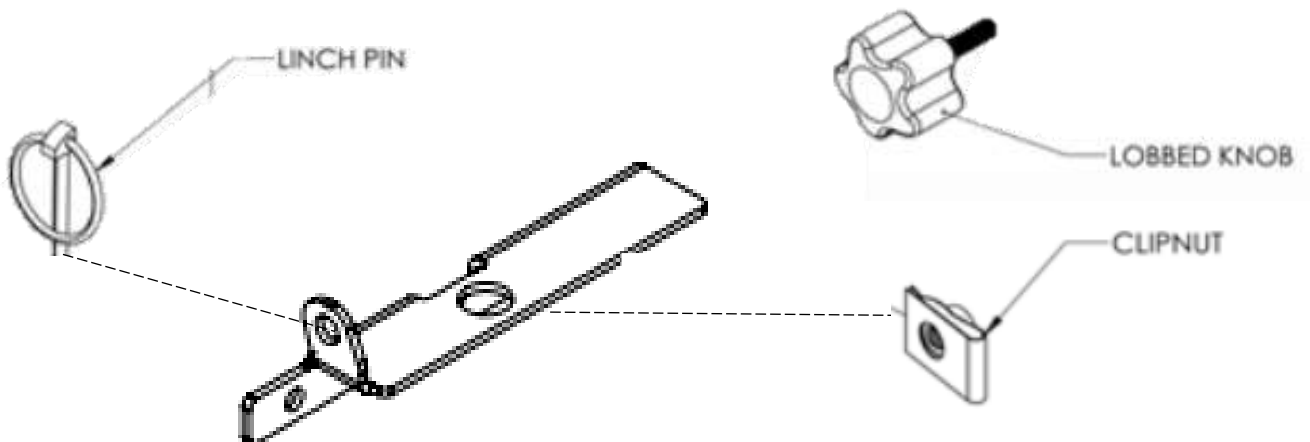
## 1 HOLDER INSTALLATION

Attach the 2 holder brackets as shown using the provided 1/4" hardware. These will hold the boards in place. Rotate or adjust as needed to fit board type.



## 2 LATCH BRACKET

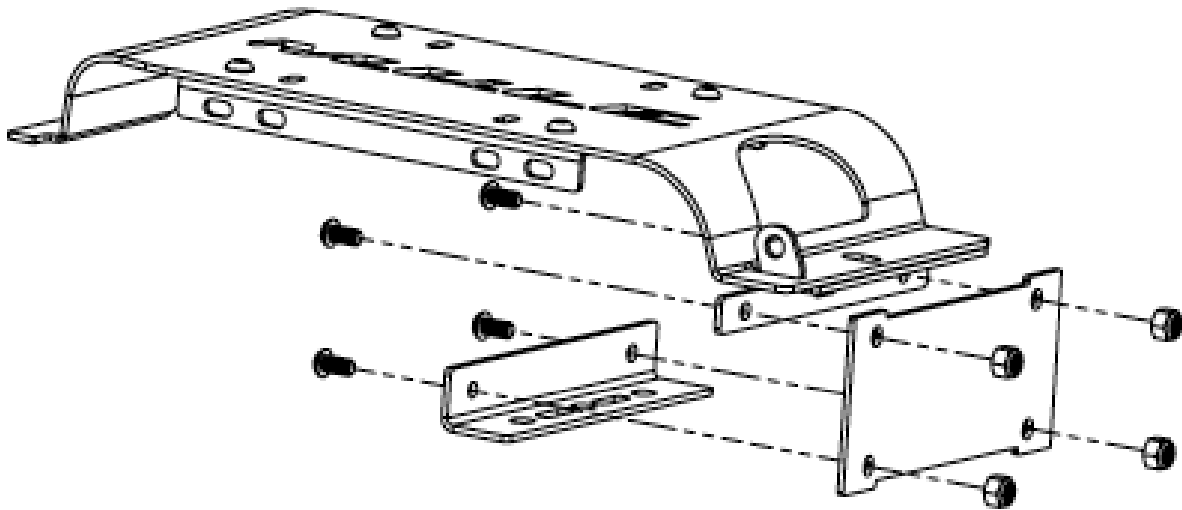
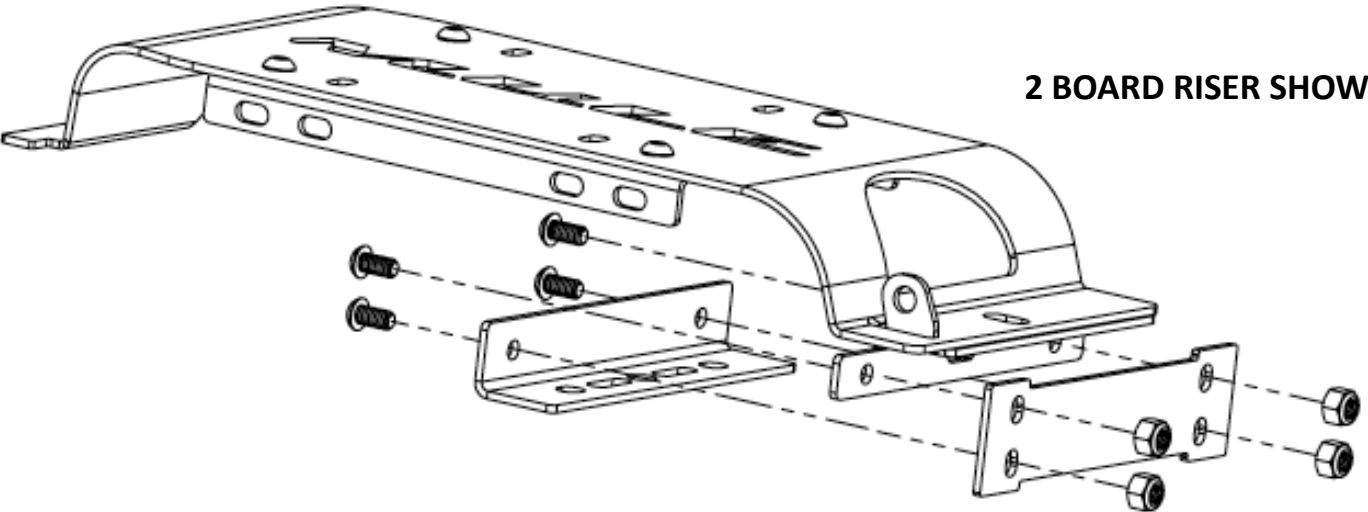
Attach the provided 3/8" Clip nut to the latch bracket. Add knob and lynch pin (or your own lock) once installation is complete



### 3 LATCH SIDE MOUNT

Attach the mount and riser as shown below for the latch bracket using the provided 1/4" hardware.

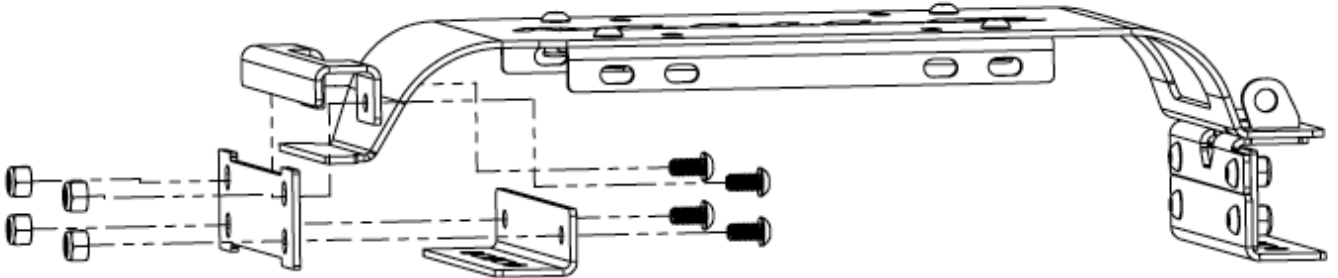
**2 BOARD RISER SHOWN**



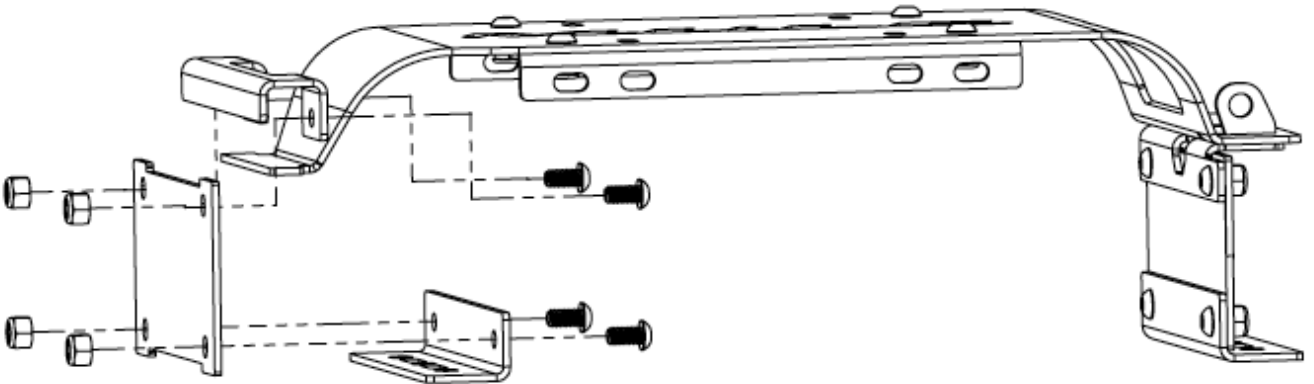
**4 BOARD RISER SHOWN**

## 4 HINGE SIDE MOUNT

Repeat step 3 for the mount and riser as shown below for the hinge bracket using the provided 1/4" hardware.



**2 BOARD RISER SHOWN**



**4 BOARD RISER SHOWN**

## 5 ASSEMBLY MOUNTING

Mount the assembly to the rack using the provided carriage bolts or t-slot insert hardware options

**TIGHTEN ALL HARDWARE AFTER EVERYTHING IS INSTALLED ON THE VEHICLE.**

**CHECK AND RETIGHTEN ALL HARDWARE AFTER THE FIRST 100 MILES AND AFTER OFF ROADING.**

**CHECK REGULARLY**