



# REAR BUMPER

2023+ COLORADO / CANYON



## INSTALL GUIDE

### PLEASE READ ENTIRE GUIDE BEFORE INSTALLATION

Recommended that you read this entire install guide before installation. Check that all hardware is present before starting or scheduling an install. This guide is supplemental to mechanical knowledge and ability. Anyone not familiar with automotive installation should seek professional installation.

LAST UPDATE 12/13/24 v2



# INSTALL GUIDE

## IMPORTANT INFO/FAQ

### INSTALL GUIDE

ALL

#### INSTALLATION HELP

Please review terms and conditions for details

Recommended purchaser review Welcome Guide at time of purchase for details

Care and Maintenance available at [www.exp-one.com/resources](http://www.exp-one.com/resources)

We do our best to offer timely assistance with your installation questions however as most of our team members are primarily engaged in the manufacturing process and packaging processes, we do not currently offer a tech for on-demand calls and inquiries. For the more technical installs or installs that are time-sensitive in nature, we would recommend our customers seek out the services of professional shops with experience specific to aftermarket bumpers that can better meet your needs. We are happy to make recommendations to you on shops familiar with our products in your area. We do our best to respond to installation questions within 24-48 hours of contact as much as possible. Long-distance problem assessment can be difficult, so photos and videos are often required for us to best assist you. We highly recommend your initial contact regarding installation questions include both close-up and full photos, detailed descriptions using our part descriptions as much as possible, and video. This enables us to better assist without having the ability to see the install difficulties directly and assist you as quickly as possible.

#### NOTE

Expedition One does not guarantee fitment with other aftermarket products, or reinstallation of take off OEM parts.

Expedition One is NOT RESPONSIBLE for damage to paint or powder coating, items assembled in error during installation or costs associated with install

OEM manufacture model refreshes/updates, factory build location and suppliers may cause variations in fitment or installation and can not be verified, vehicle to vehicle .

\*This product contains chemicals known to the state of California to cause birth defects or other reproductive harm. For more information go to [www.p65warnings.gov](http://www.p65warnings.gov)\*

GSA# GS-30F-013CA

EXPEDITION ONE  
113 N. 700 W. BUILDING 5C BAY 1  
OGDEN, UT 84404  
INFO@EXPEDITIONONE.BIZ  
801-627-2921

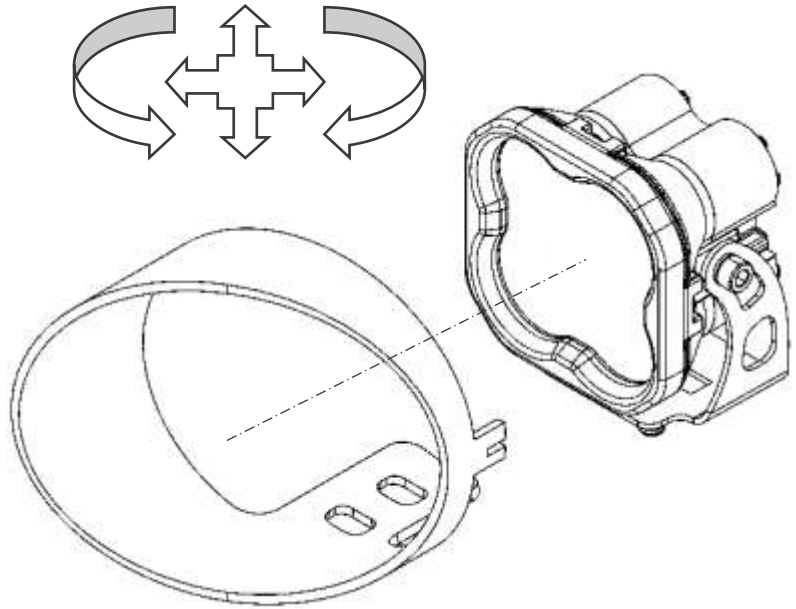
\*This product contains chemicals known to the state of California to cause birth defects or other reproductive harm. For more information go to [www.p65warnings.gov](http://www.p65warnings.gov)\*

## INSTALL GUIDE

ALL

### LIGHTPORTS

To give you a wide range of options from various brands and designs, the light ports were designed to be as universal as possible. Not all mounts or designs will fit exactly and may require the use of shims, spacers, light manufacture mounts or different hardware to mount. Reuse of OEM light is limited to select bumpers and will come with provided hardware to reinstall. It is recommended that lights be purchased with the bumper in hand to gain the best fitment. We **DO NOT** manufacture the lights, provided wiring, or instructions on how to connect to the OEM harness.



EXAMPLE SHOWN – LIGHT PORTS VARY

### AFTERMARKET or OEM PRODUCTS

We **DO NOT** guarantee fitment or installation of any aftermarket, third party or OEM parts, accessories, or hardware. This includes items such as lighting, winches, skids, lifts, suspension, and accessory mounts. Access to all brands, manufactures and country of origin specific parts is limited or impossible during the product development stage and subsequent new or modified revisions of said products including OEM design changes or refreshes. It is recommended you have the product in hand and installed before modifying with other aftermarket parts. Consult forums or other sources to gain any first hand knowledge of other products others have installed.
















### INSTALL GUIDE

ALL

#### HARDWARE

Please review for details and installation. Figures or data may vary. Leave all accessible hardware loose for installation and tighten all hardware after everything is installed on the vehicle. Check and retighten all hardware after the first 100 miles and/or after off roading. **Some hardware locations do not require being tightened to spec due to there design, location or material attachment (including rubber, plastic, and aluminum). Over tightening may break or damage parts. Torque spec may vary, amounts listed are generic.**

HARDWARE		TORQUE SPEC – FT.-LBS.	
SIZE	SOCKET WRENCH	GRADE 5 M- 8.8	GRADE 8 M – 10.9
#8	1/4"	X	
#10	5/16"		
1/4"	7/16"	6-8	9-10
5/16"	1/2"	13-14	18-20
3/8"	9/16"	23-26	33-37
7/16"	5/8"	37-41	52-58
1/2"	3/4"	57-64	80-90
9/16"	13/16"	82-91	115-129
5/8"	15/16"	112-118	159-180
3/4"	1-1/8"	200-223	282-315
7/8"	1-5/16"	322-355	454-501
1"	36MM	X	
M6	10MM	9-10	13-15
M8	13MM	22-24	32-35
M10	15MM	44-49	64-72
M12	18MM	76-83	112-123

TYPES OF HARDWARE		
		
HEX CAP BOLT	WASHER	NYLOC NUT
		
BUTTON HEAD BOLT	FENDER WASHER	HEX NUT
		
CARRIAGE BOLT	INTERNAL TOOTH	JAM NUT
		
SOCKET CAP BOLT	CLIP NUT	ACORN NUT
		
FLAT HEAD SCREW	RIVET NUT	COUPLING



GRADE5



CLASS8.8



GRADE8



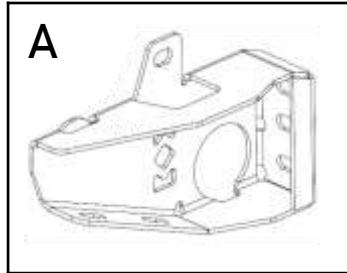
CLASS10.9

**NOTE - Extra hardware may be left over due to model or option specific items that may not be required for the install.**

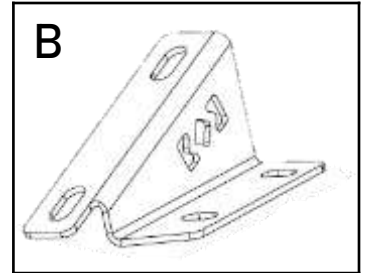
### INSTALL GUIDE

#### BUMPER HARDWARE

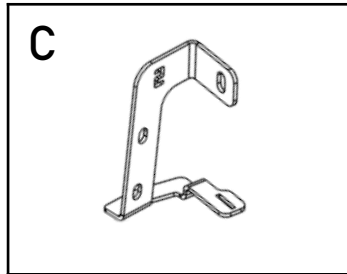
A Bumper Mount Bracket 2



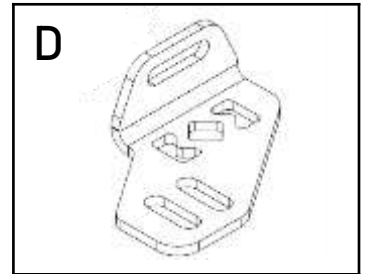
B Bumper Reinforcement Bracket 2



C License Plate Light Brackets 2



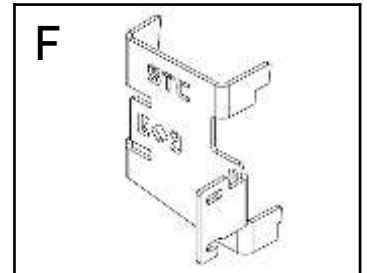
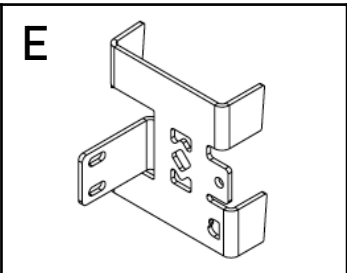
D Light Mount Tabs 2



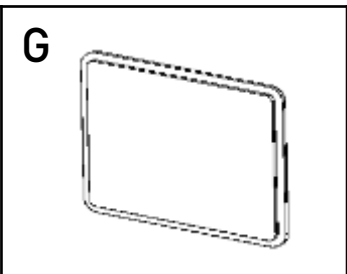
Sensor Mounts 2

E BASE Bumpers

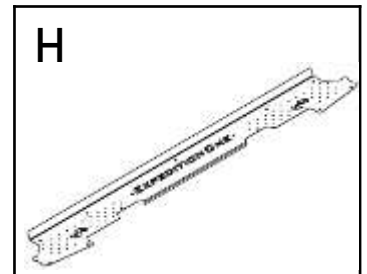
F DSTC Bumpers



G Sensor Cover 2



H DSTC Tread Plate



#### NOTE:

DSTC bumpers use conjunction with dual swing arm install guide  
<https://www.exp-one.com/resources/installation-instructions/>

## 1 - DISCONNECT WIRING

Remove all sensors or electrical connectors that are connected to the rear bumper from the vehicle's undercarriage. To avoid damage of connectors or sensors, please ensure that all connectors are undone PRIOR to removing the OEM bumper.



## 2 - BUMPER REMOVAL

Loosen all bolts and hardware holding the OEM bumper onto the vehicle. Be sure that you are prepared to handle the weight of the bumper before you remove the last bolts.



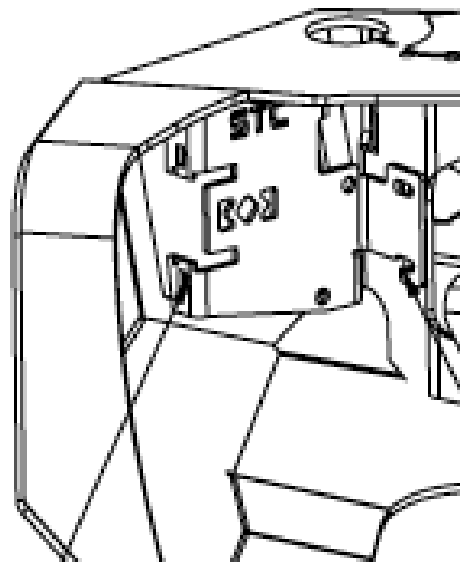
### 3 – SENSOR AND HARNESS REMOVAL

Remove the OEM wiring harness from the bumper. Disconnect the side sensors from the housing. Remove the license plate light casings from the bumper. Reinstall the harness into the new bumper, match the original sides and locations of sensors and connectors



### 4 – SIDE SENSOR REPLACEMENT

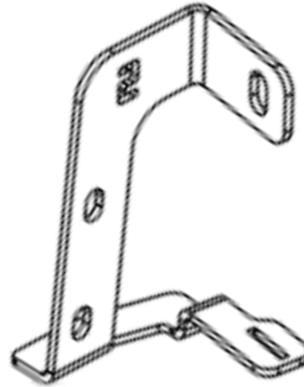
With the bumper still off the vehicle, insert the plastic side sensor covers into their positions inside the bumper. Once the covers are in place, mount the side sensors into the included mounts with the included 1/4" hardware. Ensure sensors match original sides ( IE - driver side on driver side ). DSTC Shown



## 5 – LICENSE PLATE LIGHTS

Using the included license plate light bracket, install the license plate lights as shown. Install using the provided 1/4" hardware. Reconnect lights into the housings once completed.

Note – Some installs have shown the housings need to switch sides in some cases due to OEM discrepancies



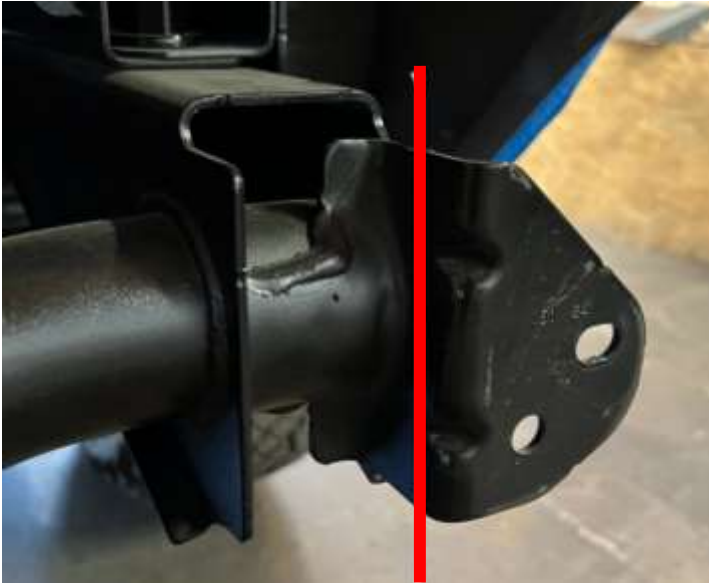
Light housing will insert into the tab





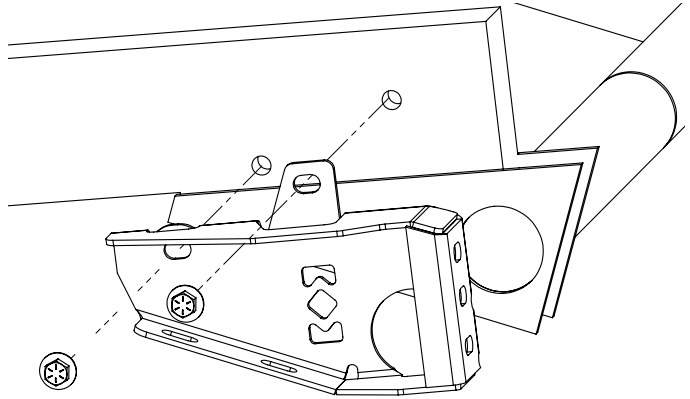
## 6 – CROSSMEMBER TAB REMOVAL

Once the crossmember tube is removed, its outermost tab will need to be cut off.



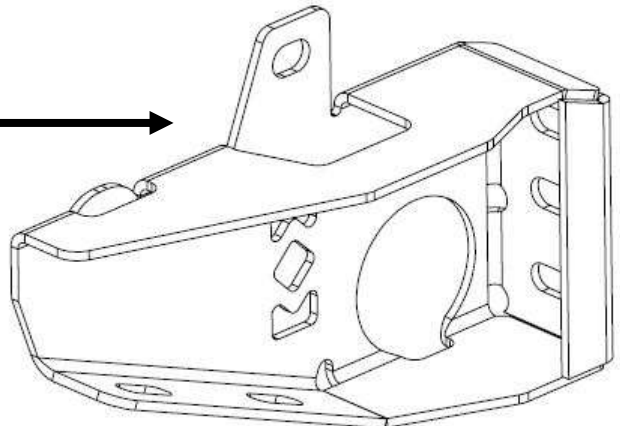
## 7 – MOUNTING BRACKET INSTALLATION

Mount the Bumper Mount Bracket to the original frame location and install using OEM hardware. Leave all hardware loose for adjustment.



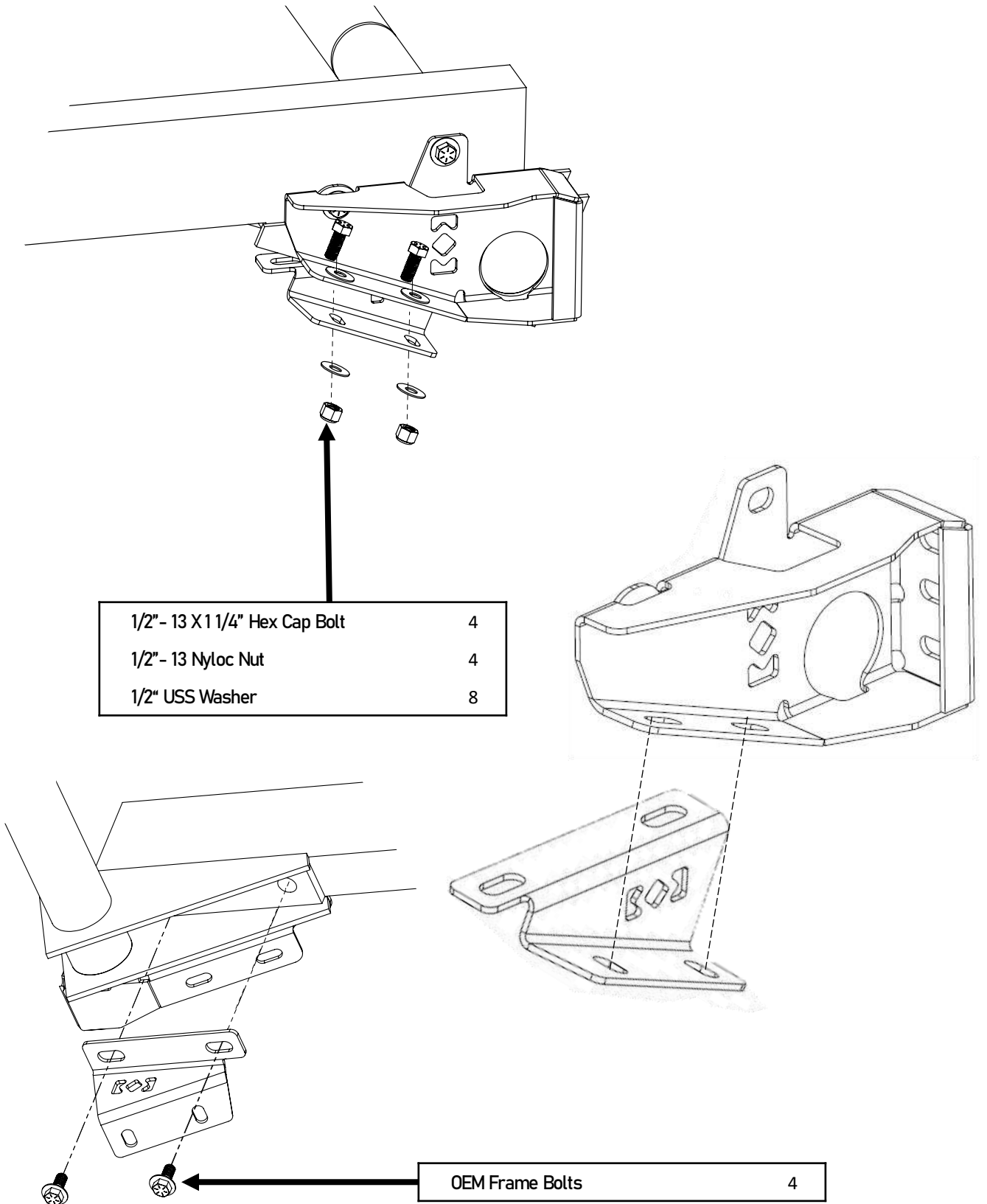
OEM Frame Bolts

4



## 8 – REINFORCEMENT BRACKET INSTALLATION

Install the Bumper Reinforcement Bracket as shown using OEM and 1/2" hardware. Leave all hardware loose for adjustment.

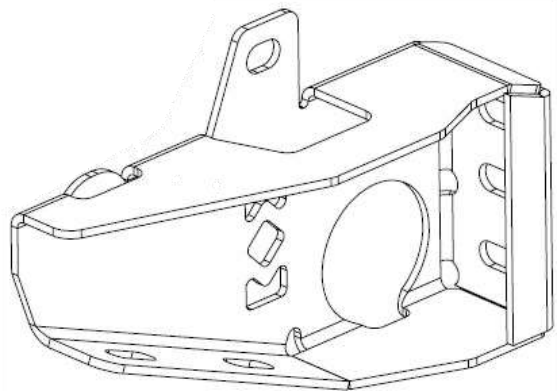
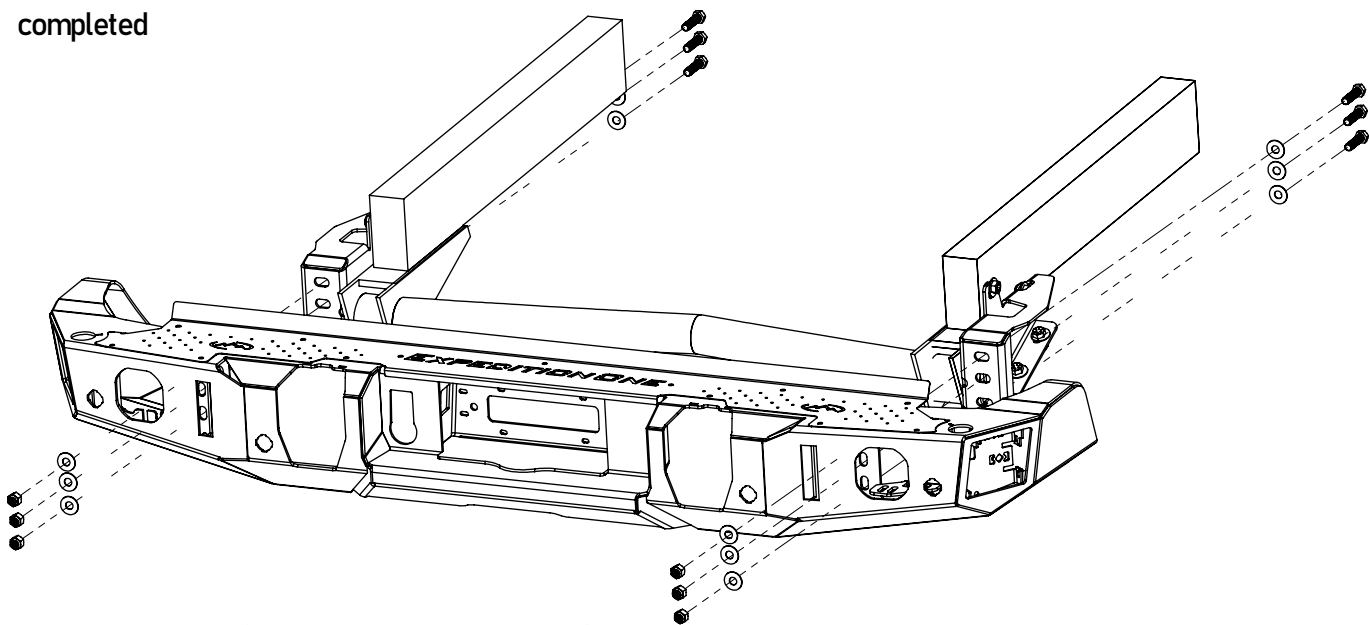


## 8 - CONTINUED



## 9 - BUMPER MOUNTING

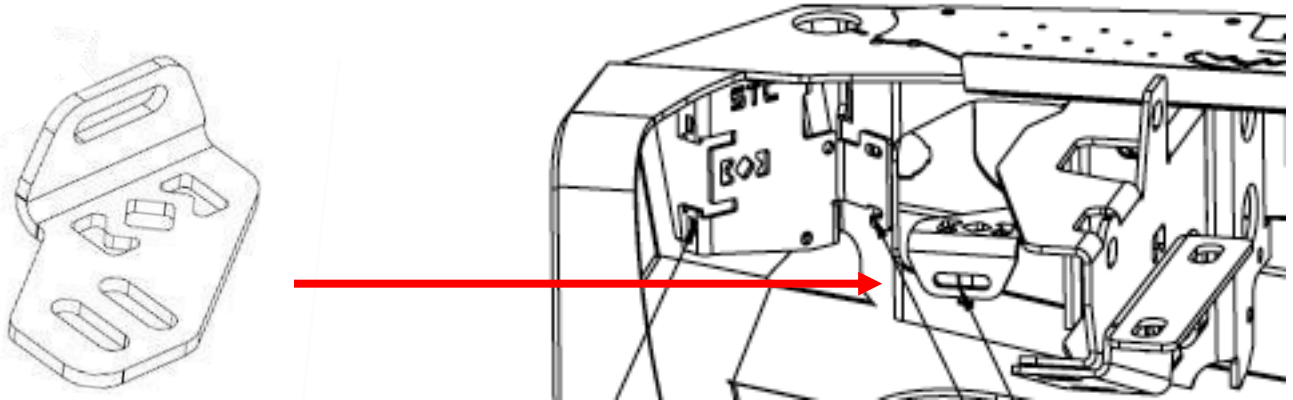
Mount the bumper as shown using the provided 1/2" hardware. Center the bumper with the vehicle, align gaps and adjust as needed between the body and bumper. Leave all hardware loose for adjustment, tighten once completed



1/2" - 13 X 1 1/4" Hex Cap Bolt	6
1/2" - 13 Nyloc Nut	6
1/2" USS Washer	12

## 10 – LIGHT TABS

Mount the light tabs in the slotted openings using the provided 5/16" carriage bolts and hardware. Adjust as needed and tighten.



## 11 – RECONNECT ALL WIRING AND INSTALL LICENSE PLATE LIGHTS

Using the included license plate light bracket, install the license plate lights as shown. Also make sure to reconnect any wiring or sensors that were disconnected in previous steps.

## 12 – TIGHTEN HARDWARE

Adjust the bumper to its desired location and **TIGHTEN HARDWARE**. Check that all hardware is tightened including all brackets and mounting locations. Reconnect the parking sensor wiring harness and other connections to the vehicle's electronics and secure all loose wiring. Check that everything is working and adjust if needed before driving on the road.

**TIGHTEN ALL HARDWARE AFTER EVERYTHING IS INSTALLED ON THE VEHICLE.  
CHECK AND RETIGHTEN ALL HARDWARE AFTER THE FIRST 100 MILES AND  
AFTER OFF ROADING. CHECK REGULARLY**